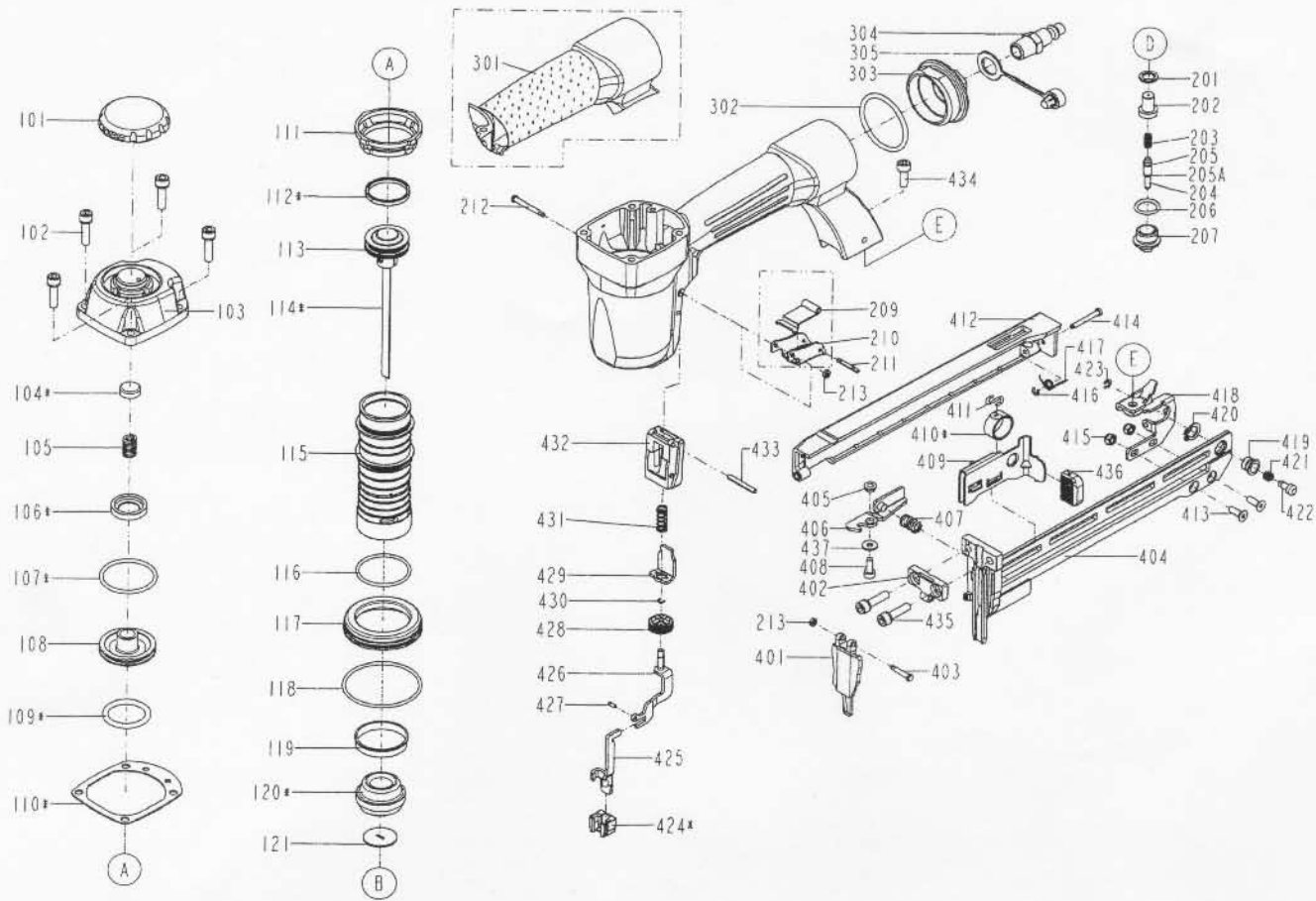


# DIAGRAM OF DK90/30



ITEM NO.	PART NO.	DESCRIPTION	ITEM NO.	PART NO.	DESCRIPTION	ITEM NO.	PART NO.	DESCRIPTION
101	11371-0264702-1	DEFLECTOR	213	1131D-0460001-1	URETHANE RETAINER	428	11393-0264701-2	ADJUST AXIE
102	2040100-03030-0	BOLT ASSY	301	11230-0265201-1	GUN BODY UNIT	429	11330-0684702-3	SAFETY
103	11369-0265301-1	CAP	302	2041109-04060-0	O - RING	430	1131C-0664701-1	RING
104	11370-0010003-1	SEAL	303	11346-0014707-1	END CAP	431	11337-0264701-1	SAFETY SPRING
105	11360-0010001-3	COMPRESSION SPRING	304	1135V-0000007-1	AIR PLUG	432	11338-0684701-3	SAFETY GUIDE
106	1131P-0394701-1	OIL SEAL	305	1132L-0010001-1	AIR PLUG CAP	433	2040400-05130-0	SPRING PIN
107	2041108-04040-0	O - RING	401	11352-0774701-1	DRIVER GUIDE COVER A	434	2040101-03060-0	HEX.SOC.HD.BOLT
108	11368-0390001-1	HD.VALVE PISTON	402	11353-0684702-1	DRIVER GUIDE COVER B	435	2040100-03030-2	BOLT ASSY
109	2041108-03080-0	O - RING	403	11324-0684702-1	FIXED PIN	436	1135F-0684701-1	PUSHER CUSHION
110	1132M-0264701-2	PACKING	404	11241-0774701-1	DRIVER GUIDE UNIT	437	2040202-02020-0	FLAT WASHER
111	11399-1044701-1	COLLAR	405	1133V-0684701-1	MAGAZINE SPACER			
112	11350-0390001-1	PISTON RING	406	1135Y-0684701-1	LATCH			
113	2041105-03030-0	O - RING	407	11313-0684701-1	LOCK SPRING			
114	11204-0770002-1	DRIVER UNIT	408	2040101-02040-0	HEX.SOC.HD.BOLT			
115	11320-0260001-2	CYLINDER	409	11363-0774701-1	PUSHER			
116	2041105-04020-0	O - RING	410*	11372-0680001-1	SPRING			
117	11321-0394701-1	CYLINDER SPACER	411	1133D-0684701-1	SPRING RETAINER			
118	2041102-05010-0	O - RING	412	11348-0774701-1	MOUNTING BRACKET			
119	11322-0394701-1	CYLINDER RING	413	2040103-02070-0	COUNTER SUNK SCREW			
120	11327-0264701-3	BUMPER	414	11344-0774701-1	LATCH PIN			
121	11388-0684702-1	DRIVER GUIDE	415	2040500-02010-0	LOCK NUT			
201	1133R-0010001-1	SEAL	416	2040302-22010-0	E - RING			
202	11373-0010002-2	TRIGGER VALVE HEAD	417	11315-0774701-1	SPRING			
203	1133U-0014701-1	SPRING	418	11323-0774701-1	BRACKET			
204	11375-0154701-1	PLUNGER	419	1130W-0684701-1	DOOR LATCH COVER			
205	2041102-01030-0	O - RING	420	2040301-10010-0	SNAP RING			
205A	2041102-01031-0	O - RING	421	11311-0074701-1	LATCH SPRING			
206	2041105-02010-0	O - RING	422	11310-0074701-1	DOOR LATCH			
207	11374-0264701-1	PLUNGER CAP	423	2040302-23010-0	E - RING			
209	1131S-0014701-1	SAFETY	424	11339-0684701-2	PROTECTIVE CASING			
210	11316-0684701-1	TRIGGER	425	11331-0774701-1	SAFETY A			
211	2040400-04080-0	SPRING PIN	426	11332-0774701-2	SAFETY B			
212	11318-0084701-1	TRIGGER PIVOT PIN	427	1131K-0684701-1	PIN			